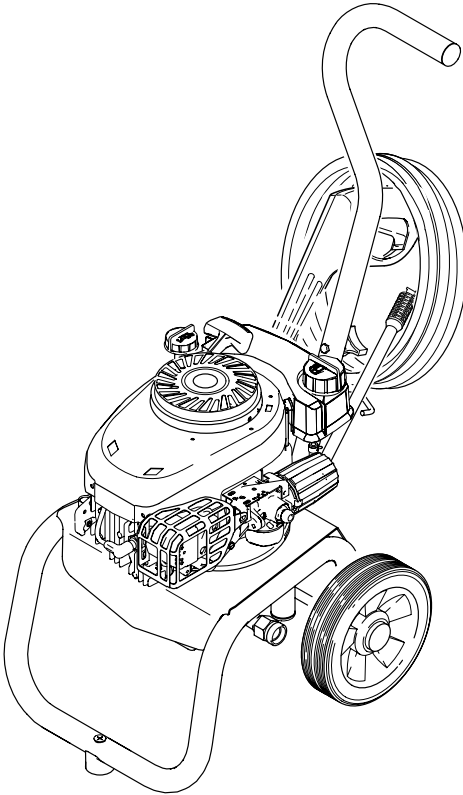


G 2000 ET



English	2
Español	15
Français	30



HIGH PRESSURE WASHER OPERATOR MANUAL

Model Overview	3
Important Safety Instructions	4
Assembly Instructions	6
Operating Instructions	6
Using the Accessories	7
Working with Detergents	8
Taking a Break	9
Shutting Down & Clean-Up	9
Winterizing and Long-Term Storage	10
Maintenance Instructions	10
Cleaning Tips	11
Troubleshooting	13

Specifications

Operating pressure	2000 PSI
Water volume	2.0 GPM
Detergent suction	0.15 - 0.20 GPM
Engine	4.0 HP Tecumseh LV148
Part No.	1.133-620.0
Serial no.	

Safety Alert Symbols

DANGER

indicates "an imminently hazardous situation which, if not avoided, will result in death or serious injury."

WARNING

indicates "a potentially hazardous situation which, if not avoided, could result in death or injury."

CAUTION

indicates "a potentially hazardous situation which, if not avoided, may result in minor or moderate injury or in property damage incidents."

Owner/User Responsibility

The owner and/or user must have an understanding of the manufacturer's operating instructions and warnings before using this pressure washer.

Warning information should be emphasized and understood.

If the operator is not fluent in English, the manufacturer's instructions and warnings shall be read to and discussed with the operator in the operator's native language by the purchaser/owner, making sure that the operator comprehends its contents.

Owner and/or user must study and maintain for future reference the manufacturer's instructions.

Kärcher Customer Support USA

Call: **1-800-537-4129** for help or visit our website:

www.karcher-usa.com/home

Please take a moment to register your pressure washer online at

www.karcher-usa.com/warranty

Kärcher Customer Service CDN

Call: **1-800-465-4980** for help or visit our website:

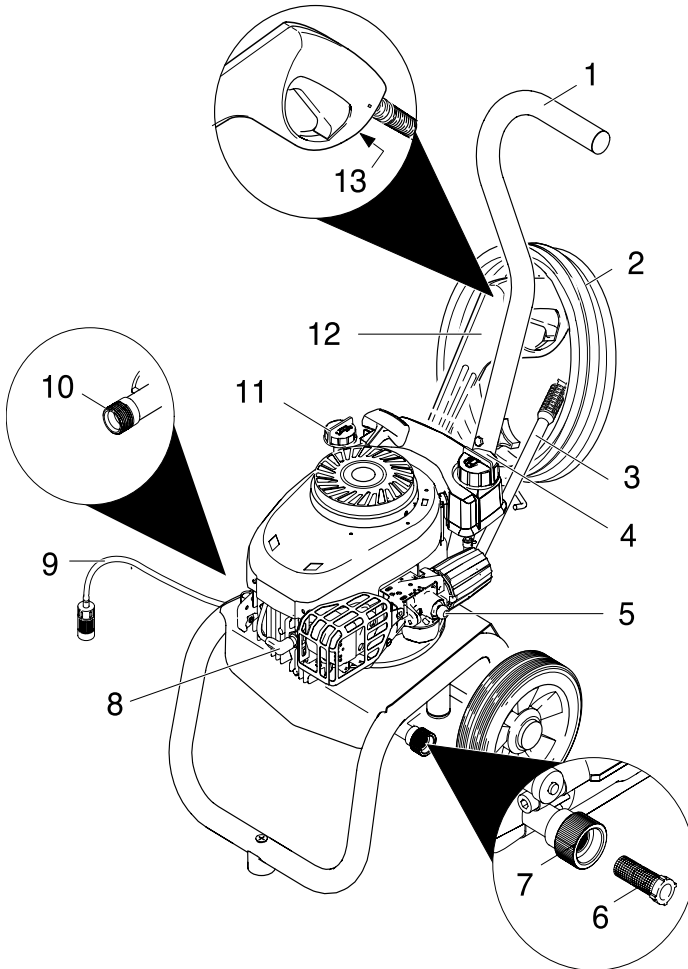
www.karcher-canada.com

Kärcher Customer Support Mexico

Call: **01-800-024-13-13** for help or visit our website: **www.karcher.com.mx**

MODEL OVERVIEW

- | | | | |
|---|--|----|--|
| 1 | Handle | 8 | Spark plug |
| 2 | High pressure hose | 9 | Detergent suction tube with filter |
| 3 | Spray wand | 10 | High pressure outlet |
| 4 | Gas tank | 11 | Dipstick |
| 5 | Primer ball | 12 | Trigger gun |
| 6 | Water inlet filter | 13 | Trigger gun safety lock |
| 7 | Water inlet with garden hose connector | | <i>For engine details see engine manual.</i> |



IMPORTANT SAFETY INSTRUCTIONS

- *Read the operating instructions of the engine manufacturer before start-up and follow the safety instructions carefully.*
- ⚠ WARNING**
- When using this product basic precautions should always be followed, including the following:*
- *Read all the instructions before using the product.*
 - *To reduce the risk of injury, close supervision is necessary when a product is used near children.*
 - *Know how to stop the product and bleed pressures quickly. Be thoroughly familiar with the controls.*
 - *Stay alert – watch what you are doing.*
 - *Do not operate the product when fatigued or under the influence of alcohol or drugs.*
 - *Keep operating area clear of all persons.*
 - *Do not overreach or stand on unstable support. Keep good footing and balance at all times.*
 - *Wear safety goggles.*
 - *Follow the maintenance instructions specified in the manual.*
- ⚠ WARNING**
- Risk of Injection or Injury – Do Not Direct Discharge Stream At Persons.*
- *High pressure jets can be dangerous if misused. The jet must not be directed at persons, animals, electrical devices, or the unit itself.*
 - *Do not spray electrical connections, electrical outlets or fixtures.*
- ⚠ WARNING**
- Risk Of Explosion – Do not spray flammable liquids.*
- *Do not use acids, alkaline, solvents, or any flammable material in this product. These products can cause physical injuries to the operator and irreversible damage to the machine.*
- ⚠ WARNING**
- Gun Kicks Back – Hold with both hands.*
- *The Trigger Gun Safety Lock prevents the trigger from accidentally being engaged. This safety feature DOES NOT lock trigger in the ON position.*
- ⚠ CAUTION**
- Risk of Asphyxiation – Use this product only in a well ventilated area.*
- *Operate and fuel machine in a well ventilated area, free of devices featuring an open pilot or flame such as boilers, water heaters, etc.*
- ⚠ CAUTION**
- Risk of Fire – Do not add fuel when the product is operating.*
- *Do not operate if fuel has been spilled. Instead, move the machine to a different location and avoid creating sparks.*
 - *The machine has hot surfaces which can cause burns. Operate the unit in a safe environment and away from children.*
 - *Do not touch hot surfaces or allow accessories to contact hot surfaces.*
 - *Do not allow the high pressure hose to come into contact with the muffler guard.*
 - *Do not leave the machine running unattended.*
 - *Avoid tipping the machine on its side.*

SAVE THESE INSTRUCTIONS

WATER SUPPLY (Cold Water Only)

⚠ CAUTION

When connecting the water inlet to the water supply mains, local regulations of your water company must be observed. In some areas the unit must not be connected directly to the public drinking water supply. This is to ensure that there is no feedback of chemicals into the water supply. Direct connection via a receiver tank or backflow preventer, for example, is permitted.

Dirt in the feed water will damage the unit. To avoid this risk, we recommend fitting a water filter.

- Garden hose must be at least 5/8 inch in diameter.
- Flow rate of water supply must not fall below 2.8 GPM (gallons per minute).
- Flow rate can be determined by running the water for one minute into an empty 5-gallon container.
- The water supply temperature must not exceed 104°F/40°C.
- Never use the pressure washer to draw in water contaminated with solvents, e.g. paint thinners, gasoline, oil, etc.
- Always prevent debris from being drawn into the unit by using a clean water source.
- Do not operate pressure washer without the water turned on.

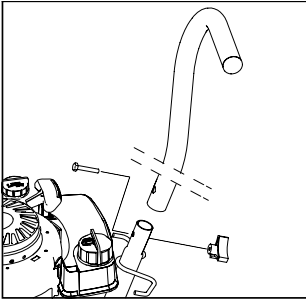
ASSEMBLY INSTRUCTIONS

Required tools

Screwdriver, small size (not supplied)

→ STEP 1:

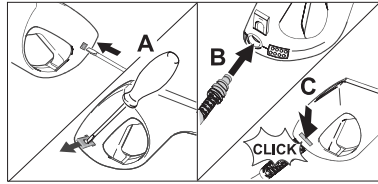
Attach the handle to the frame of the pressure washer. Align hole, insert bolt, and tighten with knob.



→ STEP 2:

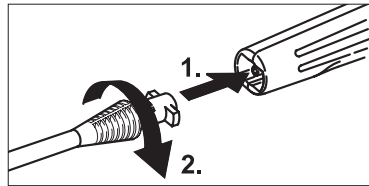
Push out the safety clip in the trigger gun using a small screwdriver. Join high pressure hose and trigger gun together.

Push clip in until it locks and check that it is securely fastened by pulling on the high pressure hose.



→ STEP 3:

Insert the spray wand into the trigger gun. Carefully press in against the spring tension and twist into the locked position.



OPERATING INSTRUCTIONS

CAUTION

Do not run the engine with a high or low oil level as this can cause engine damage.

If you have further questions regarding the engine, please refer to the engine manual included with the unit.

→ STEP 1:

Check oil level. Oil level should always be between the "FULL" and "ADD" marks on the dipstick.

Be sure the machine is level when checking the oil level. (Refer to the engine's operating manual for seasonal grades.)

We recommend that the oil be changed after the first 5 hours of use, then once every 25 hours.

→ STEP 2:

Fill gas tank with unleaded gasoline.

Do not use leaded gasoline.

→ STEP 3:

Connect the high pressure hose to the unit's high pressure outlet.

→ STEP 4:

Connect garden hose to unit's water inlet.

→ STEP 5:

Connect garden hose to the cold water source and turn water on completely.

Do not use hot water.

→ **STEP 6:**

Unlock the trigger gun safety lock.
Trigger the gun to eliminate trapped air, wait for a steady flow of water to emerge from the spray nozzle.

→ **STEP 7:**

Slide the throttle control to the RUN position.

→ **STEP 8:**

Push the primer ball three times.
Wait 3 seconds between each push.
Note: in cold weather push 5 times.
For engine details see engine manual.

→ **STEP 9:**

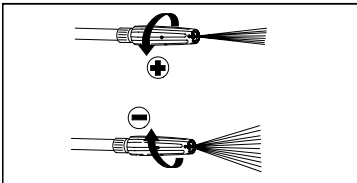
Pull the starter handle.
If the engine fails to start after 3 pulls, squeeze the trigger gun to release pressure, and repeat step.

USING THE ACCESSORIES

High / Low pressure nozzle

This nozzle features two positions. The high setting provides a steady powerful 25° high pressure spray pattern, for general cleaning. The low setting creates a wider 40° low pressure pattern.

Note: Detergent is applied with the nozzle set at low pressure.



⚠ WARNING

To avoid serious injury never point spray nozzle at yourself, other persons or animals.

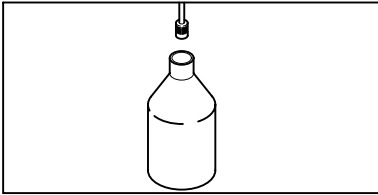
WORKING WITH DETERGENTS

→ STEP 1:

Turn spray wand tip to low pressure position.

→ STEP 2:

Fill a container with Kärcher detergent. Place the filter end of detergent suction tube into the container.



→ STEP 3:

With the engine running, pull trigger to operate unit.

Liquid detergent is drawn into the unit and mixed with water.

Apply detergent to work area.

Do not allow detergent to dry on surface.

→ STEP 4:

Always draw fresh water through the detergent suction tube when the cleaning job is done, to rinse/flush any remaining detergents from the injection system.

For best results see Cleaning Tips for specific information on how to clean different surfaces.

Detergents

⚠ CAUTION

This unit has been designed for use with cleaning detergents recommended by the manufacturer. The use of other cleaning detergents may affect the operation of the machine and void the warranty.

Always Use Kärcher Detergent for Best Results

Kärcher biodegradable detergents are specially formulated to protect the environment and your pressure washer. The special formula won't clog the suction tube filter and will protect the internal parts of the pressure washer for a longer life. For Kärcher Detergents, check your retailer or visit our website:

www.karcher-usa.com/home

Kärcher detergents available in USA / Mexico:

- All Purpose & Vehicle Cleaner
- Exterior House Cleaner
- Deck & Patio Cleaner
- Heavy Duty Degreaser

Kärcher detergents available in Canada:

- Vehicle Wash
- Pressure Wash
- Deck & Fence Wash
- Degreaser

⚠ CAUTION

Never use:

- Bleach, Chlorine products and other corrosive chemicals
- Liquids containing solvents (i.e., paint thinners, gasoline, oils)
- Tri-sodium phosphate products
- Ammonia products
- Acid-based products

These chemicals will harm the unit and will damage the surface being cleaned.

Use of these items will void the warranty.

TAKING A BREAK ..five minutes or more

→ STEP 1:

Turn off the engine.

For engine details see engine manual.

→ STEP 2:

Release trigger and engage gun safety lock.

SHUTTING DOWN & CLEAN-UP

→ STEP 1:

Remove detergent suction tube from container and insert into 1 gallon of fresh water.

Siphon water at low pressure for one minute.

→ STEP 2:

Turn off the engine.

→ STEP 3:

Turn off the water source.

→ STEP 4:

Press trigger to release water pressure.

→ STEP 5:

Release trigger and engage gun safety lock.

→ STEP 6:

Disconnect the garden hose from the water inlet on the unit.

→ STEP 7:

Disconnect the high pressure hose from the high pressure outlet.

WINTERIZING AND LONG-TERM STORAGE

- **1:** Disconnect all water connections.
- **2:** Turn on the machine for a few seconds, until the water which had remained in the pump exits, turn off immediately.
- **3:** Do not allow high pressure hose to become kinked.
- **4:** Store the machine and accessories in a room which does not reach freezing temperatures. **DO NOT** store near furnace or other sources of heat as it may dry out the pump seals.

CAUTION

Failure to follow the above directions will result in damage to the pump assembly and accessories.

Kärcher also recommends the regular practice of using a pump protector like “Kärcher Pump Guard” to help during storage in the winter months.

MAINTENANCE INSTRUCTIONS

Kärcher pump

Initial Use

All Kärcher pumps ship with oil already inside direct from the factory. There is no need to add oil.

Pump Inspection

You should routinely make a visual inspection of the pressure washer's pump. If you notice oil leaking around the pump seals, you should take the pressure washer to a Kärcher-Authorized Service Center for repair. (You can locate a service center in your area online at www.karcher-usa.com/service.)

Pump Maintenance

The pump on your Kärcher pressure washer does not require maintenance. Any attempts to service or alter the pump may damage your pressure washer and void your product warranty.

Engine

Carry out maintenance tasks for the engine according to the specifications provided in the operating instructions provided by engine manufacturer.

CLEANING TIPS

Deck Cleaning

(with or without detergent). Pre-rinse deck and surrounding area with fresh water. If using Kärcher Deck Wash, apply to surface at low pressure. For best results, limit your work area to smaller sections of approximately 25 square feet. Allow Deck Wash to remain on surface 1-3 minutes. Do not allow detergent to dry on surface. Rinse at high pressure in a long sweeping motion keeping the spray nozzle approximately 3-6 inches from the cleaning surface. Always clean from top to bottom and from left to right. When moving on to a new section of the cleaning surface, be sure to overlap the previous section to eliminate stop marks and ensure a more even cleaning result.

⚠ CAUTION

Do not use Dirtblaster spray nozzle on wood surface as it may cause damage.

House Siding

(with or without detergent). Pre-rinse cleaning surface with fresh water. If using Kärcher Pressure Wash, apply to surface at low pressure (for best results, limit your work area to sections of approximately 6 feet and always apply detergent from bottom to top). Allow Pressure Wash to remain on surface 1-3 minutes. Do not allow detergent to dry on surface, if surface appears to be drying, simply wet down surface with fresh water. If needed, use special wash brush attachment (not included) to remove stubborn dirt. Rinse at high pressure from top to bottom in an even

sweeping motion keeping the spray nozzle approximately 6 inches from the cleaning surface.

⚠ CAUTION

Do not use Dirtblaster spray nozzle on siding as it may cause damage.

Cement Patios, Brick and Stone

(with or without detergent). Pre-rinse cleaning surface with fresh water. If using Kärcher Pressure Wash or Degreaser, apply to surface at low pressure. For best results, limit your work area to smaller sections of approximately 25 square feet. Allow Pressure Wash or Degreaser to remain on surface 1-3 minutes. Do not allow detergent to dry on surface. Rinse at high pressure in a sweeping motion keeping the spray nozzle approximately 3-6 inches from the cleaning surface. Always clean from top to bottom and from left to right. For removing extremely stubborn stains, use the Dirtblaster Nozzle.

Cars, Boats & Motorcycles

(with or without detergent). Pre-rinse vehicle with fresh water. If using Kärcher Touchless Vehicle Wash, apply to surface at low pressure. For best results, clean one side of vehicle at a time and always apply detergent from bottom to top, do not allow detergent to dry on surface. If needed, use special wash brush attachment (not included) to remove stubborn dirt. Rinse at high pressure in a sweeping motion keeping the spray nozzle approximately 6-8 inches from the cleaning surface (distance should increase when rinsing pin-striping or other sensitive surfaces). Always

clean from top to bottom and from left to right. For best results, wipe surface dry with a chamois or soft dry cloth.

⚠ CAUTION

Do not use Dirtblaster spray nozzle on vehicles as it may cause damage.

Barbecue Grills, Outdoor Power Equipment & Gardening Tools

(with or without detergent). Pre-rinse cleaning surface with fresh water. If using Kärcher Pressure Wash or Degreaser, apply detergent at low pressure. Allow Pressure Wash to remain on surface 1-3 minutes. Do not allow detergent to dry on surface. Rinse at high pressure keeping the spray nozzle approximately 3-6 inches from the cleaning surface. For removing extremely stubborn dirt, it may be necessary to move the spray nozzle even closer to the surface for greater dirt cutting action.

⚠ CAUTION

Do not use Dirtblaster spray nozzle on cloth, plastic or other sensitive surfaces as it may cause damage.

Patio & Lawn Furniture

(with or without detergent). Pre-rinse furniture and surrounding area with fresh water. If using Pressure Wash, apply to surface at low pressure. Allow Pressure Wash to remain on surface 1-3 minutes. Do not allow detergent to dry on surface. If needed use special Wash Brush Attachment (not included) to remove stubborn dirt. Rinse at high pressure in a sweeping motion keeping the spray nozzle approximately 3-6 inches from the cleaning surface. For best re-

sults, clean from top to bottom and from left to right.

⚠ CAUTION

Do not use Dirtblaster spray nozzle on patio or lawn furniture as it may cause damage.

Recommendations

- Before cleaning any surface an inconspicuous area should be cleaned to test spray pattern and distance for maximum cleaning results.
- If painted surfaces are peeling or chipping, use extreme caution as pressure washer may remove the loose paint from the surface.
- When using on surfaces which might come in contact with food, flush surfaces with plenty of drinking water.
- For additional cleaning tips, visit our website at **www.karcher-usa.com/home**

Optional Accessories

Optional accessories are available to further enhance your cleaning capabilities. Please check our website www.karcher-usa.com/home for pricing and up-to-date information.

TROUBLESHOOTING

⚠ CAUTION

Remove the spark plug cable to prevent accidental ignition of the engine before making any repair.

Symptom	Cause	Solution
Engine will not start	No gasoline	Fill gas tank
	Engine is not primed.	Push primer ball three times.
	Engine throttle is not in correct position.	Move the throttle to the „FAST“ position.
	Water pressure built up in the machine.	Squeeze the trigger to release the pressure.
	For additional engine problems refer to the engine manual.	
Unit does not reach high pressure.	Diameter of garden hose is too small.	Replace with a 5/8 inch or larger garden hose.
	Water supply is restricted.	Check garden hose for kinks, leaks and blockage.
	Not enough inlet water supply.	Turn water on full force. Check garden hose for kinks, leaks or blockage.
	Water inlet filter is clogged.	Remove filter and rinse out in warm water.
	Spray wand is on low pressure position.	Turn spray wand to high pressure position.
Output pressure varies high and low.	Not enough inlet water supply.	Turn water on full force. Check garden hose for kinks, leaks or blockage.
	Pump is sucking air.	Check that hoses and fittings are air tight. Turn off machine and purge pump by squeezing trigger gun until a steady flow of water emerges through the nozzle.
	Water inlet filter is clogged.	Remove filter and rinse out in warm water.
	Spray nozzle is obstructed.	Blow out or remove debris with a fine needle.
	Calcified gun, hose or spray wand.	Run distilled vinegar through detergent suction tube.

Symptom	Cause	Solution
No detergent.	Detergent suction tube not properly connected to the machine.	Check connection.
	Detergent is too thick.	Dilute detergent, for best results use Kärcher detergent.
	Filter on detergent suction tube is clogged.	Run warm water through filter to remove debris.
	Damaged or clogged detergent suction tube.	Remove obstruction or replace detergent suction tube.
	Spray nozzle is obstructed.	Blow out or remove debris with fine needle.
Garden hose connection leaks.	Loose fittings.	Tighten fittings.
	Missing/worn rubber washer.	Insert new washer.
Spray wand leaks.	Spray wand not properly attached.	Turn the swivel nut of the gun clockwise until connection is tight.
	Broken o-ring or plastic insert.	Call Customer Support
Pump is noisy.	Pump is sucking air.	Check that hoses and fittings are air tight. Turn off machine and purge pump by squeezing trigger gun until a steady flow of water emerges through the nozzle.
Water leaks from pump (up to 10 drops per minute is permissible).	Loose fittings.	Tighten fittings.
	Water seals are damaged or worn.	Call Customer Support
	Thermal protection device is activated.	Thermal protection device will auto reset. Do not run pump for more than 5 minutes without spraying.
Oil Drip.	Oil seals are damaged or worn.	Call Customer Support

If you encounter any additional difficulties not listed, please call for help or visit our website.

USA: 1-800-537-4129
www.karcher-usa.com/home
Canada: 1-800-465-4980
www.karcher-canada.com
Mexico: 01-800-024-13-13
www.karcher.com.mx

MANUAL DE USUARIO DEL LIMPIADOR DE ALTA PRESIÓN

Vista general del modelo	16
Importantes instrucciones de seguridad	17
Instrucciones de montaje	19
Instrucciones de funcionamiento	19
Utilización de los accesorios	20
Trabajar con detergentes	21
Tomarse un descanso	22
Apagado y limpieza	22
Almacenamiento prolongado	23
Instrucciones de mantenimiento	23
Consejos de limpieza	24
Solución de problemas	27

Especificaciones

Presión de trabajo	2000 PSI
Volumen de agua	2.0 GPM
Absorción de detergente	0.15 - 0.20 GPM
Motor	4.0 HP Te-cumseh LV148
Nº de pieza	1.133-620.0
Nº de serie	

Símbolos de aviso de seguridad

⚠ PELIGRO

indica "una situación de peligro inminente que, si no se evita, puede causar lesiones graves e incluso la muerte".

⚠ ADVERTENCIA

indica "una situación de peligro potencial que, si no se evita, puede causar lesiones e incluso la muerte".

⚠ ATENCIÓN

indica "una situación de peligro potencial que, si no se evita, puede causar lesiones de poca importancia o leves", o daños materiales.

Responsabilidades del propietario/usuario

El propietario y/o el usuario deben comprender bien las instrucciones de servicio y advertencias del fabricante antes de empezar a utilizar este limpiador de alta presión.

Debe prestarse especial atención y tener muy claras las advertencias.

Si el operador no habla bien el inglés, el propietario/comprador debe responsabilizarse de leer y comentar las instrucciones y las advertencias en su lengua natal, y asegurarse de que entienda a la perfección su contenido.

El propietario y/o el usuario deben leer y guardar como referencia para el futuro las instrucciones del fabricante.

Servicio de asistencia al cliente de Kärcher de EE.UU.

Llame al: **1-800-537-4129** si necesita ayuda o visite nuestra página Web:

www.karcher-usa.com/home

Por favor, dedique unos minutos a registrar su aparato de lavado a presión en **www.karcher-usa.com/warranty**

Servicio de atención al cliente de Kärcher Canadá

Llame al: **1-800-465-4980** para recibir ayuda o visite nuestra página web:

www.karcher-canada.com

Soporte Kärcher Mexico

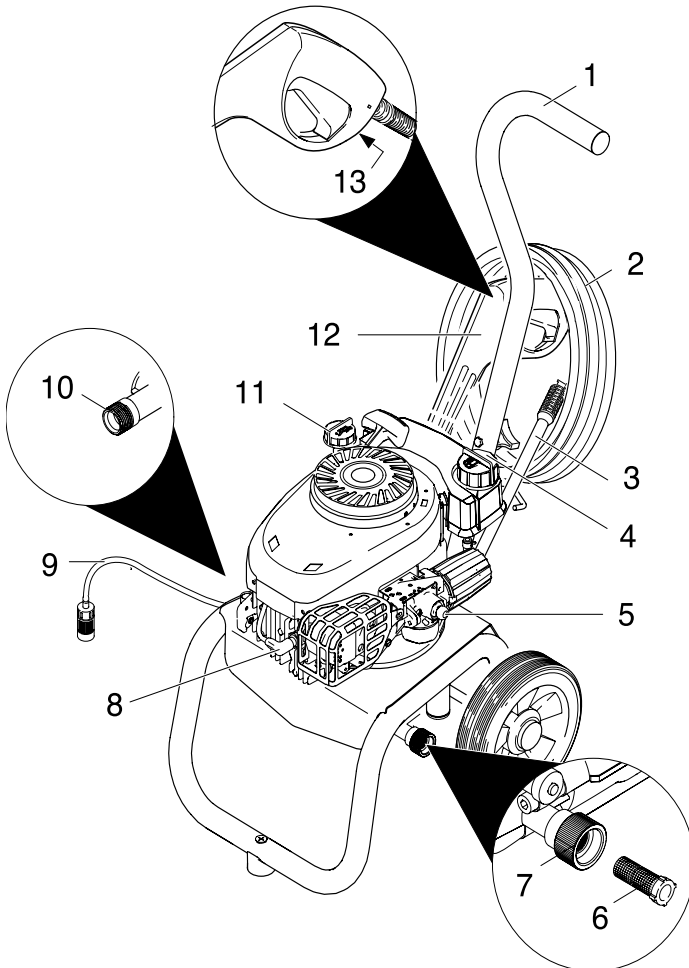
Llame al: **01-800-024-13-13** si necesita ayuda o visite nuestra página Web:

www.karcher.com.mx

VISTA GENERAL DEL MODELO

- 1 Asa de transporte
- 2 Manguera de alta presión
- 3 Barra pulverizadora
- 4 Depósito de gasolina
- 5 Bold del cebador
- 6 Dispositivo de filtrado en la entrada del agua
- 7 Toma de agua con conector para manguera de jardín
- 8 Enchufe de chispa
- 9 Tubo de succión de detergente con filtro
- 10 Salida de alta presión
- 11 Varilla del aceite
- 12 Pistola de disparo
- 13 Pestillo de seguridad de la pistola de disparo

Consulte el manual del motor para más información sobre el motor.



INSTRUCCIONES IMPORTANTES DE SEGURIDAD

- *Antes de la puesta en marcha, leer el manual de instrucción del fabricante del motor, especialmente las indicaciones de seguridad.*

⚠ ADVERTENCIA

Al utilizar este producto, tome siempre las precauciones básicas, incluidas las siguientes:

- *Lea todas las instrucciones antes de usar el producto.*
- *Para reducir el riesgo de lesiones, es preciso vigilar atentamente si se usa el producto cerca de niños.*
- *Es necesario saber cómo parar rápidamente el producto y parar hemorragias. Estar familiarizado con los mandos.*
- *Estar atento, prestar atención a lo que se está haciendo.*
- *No ponga en funcionamiento el producto si está cansado o está bajo la influencia de alcohol o drogas.*
- *Mantenga la zona de trabajo libre de personas.*
- *No sobrecargar o colocar sobre un soporte inestable. Mantener el equilibrio en todo momento.*
- *Utilizar gafas de seguridad.*
- *Seguir las instrucciones de mantenimiento especificadas en el manual.*

⚠ ADVERTENCIA

Riesgo de inyección o lesiones - no dirigir el chorro directamente sobre personas.

- *Los aparatos a alta presión pueden resultar peligrosos si se usan de forma incorrecta. No se debe dirigir el aparato a personas, animales, dispositivos eléctricos o la equipo mismo.*

- *No pulverizar sobre conexiones eléctricas, enchufes o aparatos.*

⚠ ADVERTENCIA

Riesgo de explosión - no pulverizar sobre líquidos inflamables.

- *No usar ácidos, alcalinos, disolventes, o cualquier material inflamable con este producto. Estos productos pueden causar heridas físicas al operario y daños irreparables a la máquina.*

⚠ ADVERTENCIA

La pistola rebota hacia atrás - sujetar con las dos manos.

- *El seguro del gatillo de la pistola evita que el gatillo salte de forma involuntaria. El dispositivo de seguridad NO bloquea el gatillo en la posición ON.*

⚠ ATENCIÓN

Riesgo de asfixia - usar este producto únicamente en una zona bien ventilada.

- *Operar y repostar la máquina en una zona bien ventilada, donde no haya dispositivos con un piloto o llama abierta tales como bóiler, calentadores de agua, etc.*

⚠ ATENCIÓN

Riesgo de incendio - no repostar la máquina mientras esté en funcionamiento.

- *No poner en funcionamiento si se ha derramado gasolina. Mueva la máquina a otro lugar para evitar que se produzcan chispas.*
- *La máquina tiene superficies calientes que pueden causar quemaduras. Poner en funcionamiento el aparato en un ambiente seguro y lejos de niños.*

- *No tocar las superficies calientes o permitir a los accesorios que estén en contacto con las superficies calientes.*
- *No permitir a la manguera de alta presión que esté en contacto con la cinta de protección.*
- *No dejar la máquina sin supervisión cuando esté en funcionamiento.*
- *Evitar inclinar la máquina hacia un lado.*
- No usar la limpiadora de alta presión para agua contaminada con disolventes, por ejemplo para diluir pintura, gasolina, aceite etc.
- Evitar que entren escombros en la unidad, para ello use una fuente de agua limpia.
- No utilizar la limpiadora de presión sin el agua encendida.

CONSERVE ESTAS INSTRUCCIONES

SUMINISTRO DE AGUA (Sólo agua fría)

⚠ ATENCIÓN

Cuando conecte la entrada de agua al suministro de agua principal, respete las normativas locales de la compañía de agua. En algunas zonas no se puede conectar directamente al suministro público de agua potable. Esto para asegurar que no entran productos químicos al suministro de agua. Se permite, por ejemplo, conectar directamente a través de un depósito receptor o bloqueo de reflujos.

Si entra suciedad en la entrada de agua se dañará el equipo. Para evitar correr este riesgo, recomendamos usar un filtro de agua.

- La manguera del jardín debe tener al menos un diámetro de 5/8 pulgadas.
- El índice de flujo de agua no deben ser inferior a 2.8 GPM (galones por minuto).
- El índice de flujo se puede determinar si se deja correr el agua durante un minuto en un bidón de 5 galones.
- La temperatura de agua no debe exceder los 104°F/40°C.

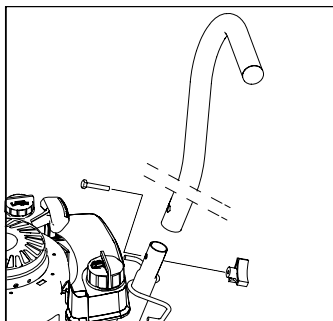
INSTRUCCIONES DE MONTAJE

Herramientas necesarias

Destornillador, tamaño pequeño (no viene incluido)

→ PASO 1:

Conectar el mango al bastidor de la limpiadora a presión. Alinear orificio, insertar perno y apretar con la empuñadura.

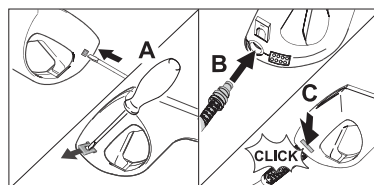


→ PASO 2:

Empuje la grapa de seguridad de la pistola pulverizadora manual hacia fuera, con un pequeño destornillador.

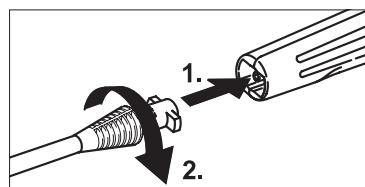
Conecte la manguera de alta presión a la pistola pulverizadora manual.

Empuje la grapa hasta que engatille y compruebe que la conexión está bien hecha tirando de la manguera de alta presión.



→ PASO 3:

Inserte el pulverizador telescópico en la pistola de disparo. Presiónelo en contra de la tensión que ejerce el muelle y gírelo hasta que quede en la posición de bloqueo.



INSTRUCCIONES DE FUNCIONAMIENTO

ATENCIÓN

No poner en funcionamiento el motor con un nivel de aceite demasiado bajo o demasiado alto ya que se puede dañar el motor.

Si tiene más preguntas sobre el motor, consulte el manual suministrado con el equipo.

→ PASO 1:

Comprobar el nivel de aceite. El nivel de aceite tiene que estar siempre

entre las marcas "FULL" y "ADD" en la varilla.

Asegúrese de que la máquina esté nivelada cuando compruebe el nivel de aceite. (Consulte el manual de funcionamiento de la máquina para los grados según la estación.).

Recomendamos cambiar el aceite tras las primeras 5 horas de uso y después cada 25 horas.

→ **PASO 2:**

Llenar el depósito de gasolina con gasolina sin plomo.

No usar gasolina con plomo.

→ **PASO 3:**

Conecte la manguera de alta presión a la salida de alta presión de la unidad.

→ **PASO 4:**

Conecte la manguera de jardín a la toma de agua de la unidad.

→ **PASO 5:**

Conecte la manguera de jardín a la toma de agua fría y abra el agua del todo.

No usar agua caliente.

→ **PASO 6:**

Desbloquee el pestillo de seguridad del pistola de dispano. Dispare la

pistola para eliminar el aire aprisionado y espere hasta que salga un caudal de agua constante de la boquilla pulverizadora.

→ **PASO 7:**

Deslice el control del acelerador a la posición de fast (rápido).

→ **PASO 8:**

Luego oprima la bola del cebador tres veces. Espere 3 segundos entre cada apretón.

Consulte el manual del motor para más información sobre el motor.

→ **PASO 9:**

tirar del mango de arranque.

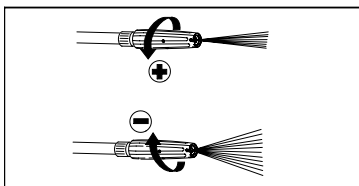
Si el motor no arranca tras 3 intentos, apretar la pistola de gatillo para soltar presión y repetir el paso.

UTILIZACIÓN DE LOS ACCESORIOS

Tubo aplicador (de presión alta y baja)

El tubo aplicador de presión alta y baja permite regular la presión para el lavado. Para lavar a presión máxima, girar el anillo regulador hacia el símbolo (-).

Nota: Para aplicar detergente, girar el anillo regulador al símbolo de presión baja (-)



⚠ **ADVERTENCIA**

Para evitar heridas graves, nunca dirija la boquilla pulverizadora hacia

usted mismo, hacia otras personas o hacia animales.

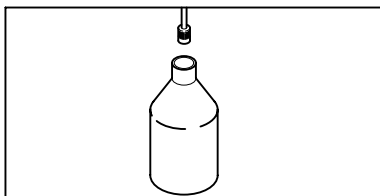
TRABAJAR CON DETERGENTES

→ PASO 1:

Ponga la punta del pulverizador telescópico en la posición de baja presión.

→ PASO 2:

Llene el recipiente con detergente Kärcher. Coloque el extremo con filtro del tubo de succión de detergente dentro del recipiente.



→ PASO 3:

Con el motor en marcha, tirar del gatillo para poner el equipo en funcionamiento.

El detergente líquido se introduce en el equipo y se mezcla con agua.

Aplicar detergente al área de trabajo.

No permitir que el detergente se seque sobre la superficie.

→ PASO 4:

Dejar correr **siempre** agua fresca por el tubo de absorción de detergente al acabar el trabajo de limpieza para limpiar/extraer los restos de detergente del sistema de inyección.

Para obtener mejores resultados, consulte la sección de consejos de limpieza para obtener información específica sobre cómo limpiar diferentes superficies.

Detergentes

⚠ ATENCIÓN

Siga las instrucciones de mantenimiento especificadas en el manual

Este aparato ha sido diseñado para ser utilizado con detergentes de limpieza del fabricante. El uso de otros detergentes de limpieza puede afectar al funcionamiento del aparato y hacer que deje de tener validez la garantía.

Utilice siempre detergente Kärcher para obtener los mejores resultados

Los detergentes biodegradables de Kärcher han sido especialmente concebidos para proteger el medio ambiente y el limpiador a presión. Su fórmula especial no obstruirá el filtro del tubo de succión y protegerá las piezas internas del limpiador de alta presión para que su vida útil sea más larga. Para adquirir los detergentes Kärcher, diríjase a su comerciante minorista o llame a nuestro centro de asistencia si necesita ayuda.

Detergentes Kärcher disponibles en EE.UU. / Méjico:

- Para todos los usos para limpiar automóviles
- Limpiador de exteriores de casas
- Limpiador de pisos y patios
- Desengrasante muy potente

Detergentes Kärcher disponibles en Canadá:

- Lavado de vehículos
- Lavado a presión
- Lavado de pisos y vallas
- Desengrasante

⚠ ATENCIÓN

No utilice nunca:

- Lejía, productos que contengan cloro ni otro tipo de productos químicos corrosivos
- Líquidos que contengan disolventes (p. ej., diluyentes de pintura, gasolina, aceites)

- Productos de fosfato trisódico
- Productos con amoníaco
- Productos con base ácida

Los productos químicos mencionados dañarán la unidad y dañarán la superficie que se limpie.

El uso de estos objetos invalidará la garantía.

TOMARSE UN DESCANSO de cinco minutos o más

→ PASO 1:

Mueva el acelerador hacia abajo para detener la máquina.

Consulte el manual del motor para más información sobre el motor.

→ PASO 2:

Suelte el gatillo y accione el pestillo de seguridad de la pistola.

APAGADO Y LIMPIEZA

→ PASO 1:

Quitar el tubo de absorción de detergente del bidón e introducir en un galón de agua limpia.

Sacar agua a baja presión durante un minuto.

→ PASO 7:

Desconecte la manguera de alta presión de la salida de alta presión.

→ PASO 2:

Mueva el acelerador hacia abajo para detener la máquina.

→ PASO 3:

Cierre el grifo del agua.

→ PASO 4:

Presione el gatillo para que salga la presión.

→ PASO 5:

Suelte el gatillo y accione el pestillo de seguridad de la pistola.

→ PASO 6:

Desconecte la manguera de jardín de la toma de agua de la unidad.

PROTECCIÓN CONTRA LOS AGENTES INVERNALES Y ALMACENAMIENTO PROLONGADO

- **1:** Desconecte todas las conexiones de agua.
- **2:** Encienda el aparato durante unos segundos hasta que haya salido el agua que haya quedado en la bomba, y apáguelo inmediatamente.
- **3:** Evite que la manguera de alta presión se retuerza.
- **4:** Almacene el aparato y los accesorios en una habitación que no llegue a temperaturas bajo cero. NO lo almacene cerca de hornos u otras fuentes de calor, ya que se podrían secar las juntas de estanqueidad de la bomba.

⚠ **ATENCIÓN**

Si no se cumplen las instrucciones mencionadas arriba, el grupo de la bomba y los accesorios sufrirán daños. Kärcher también recomienda el práctica general de usar un protector de bomba como "Protección de bomba Kärcher" para ayudar en el almacenamiento durante los meses de invierno.

INSTRUCCIONES DE MANTENIMIENTO

Bomba Kärcher

Uso inicial

Todas las bombas Kärcher viene con aceite directamente de fábrica. No es necesario añadir aceite.

Inspección de la bomba

Debe realizar una inspección visual de rutina de la bomba de la limpiadora a presión. Si ve que pierde aceite en las juntas de la bomba, lleve la limpiadora a presión a un servicio técnico autorizado de Kärcher. (Puede localizar a un servicio técnico en su zona online en www.karcher-usa.com/service.)

Mantenimiento de la bomba

La bomba de su limpiadora Kärcher no precisa mantenimiento. Cualquier intento de revisar o modificar la bomba puede dañar su limpiadora a presión y anular su garantía.

Motor

Llevar a cabo las tareas de mantenimiento del motor de acuerdo con las especificaciones indicadas en las instrucciones de funcionamiento del fabricante del motor.

Limpieza de cubiertas

(con o sin detergente). Preenjuague la cubierta y el área circundante con agua limpia. Si utiliza Deck Wash de Kärcher, aplíquelo en la superficie a baja presión. Para obtener mejores resultados, divida el área de trabajo en pequeñas secciones de aprox. 25 pies cuadrados. Deje el Deck Wash sobre la superficie durante 1-3 minutos. No deje que se seque el detergente sobre la superficie. Enjuague a alta presión mediante un movimiento de barrido, manteniendo la boquilla pulverizadora a aprox. 3-6 pulgadas de la superficie a limpiar. Limpie siempre de arriba a abajo y de izquierda a derecha. Cuando pase a la siguiente sección de la superficie a limpiar, asegúrese de solapar la nueva sección con la sección anterior para evitar que queden marcas de parada y garantizar, así, un resultado homogéneo.

⚠ **ATENCIÓN**

No usar la boquilla pulverizadora para levantar suciedad sobre una superficie de madera ya que puede causar daños.

Solapados de la casa

(con o sin detergente). Preenjuague la superficie a limpiar con agua limpia. Si utiliza Pressure Wash de Kärcher, aplíquelo a la superficie a baja presión (para obtener mejores resultados, divida la zona de trabajo en secciones de aproximadamente 6 pies y aplique siempre el detergente de abajo a arriba). Deje el Pressure Wash sobre la superficie durante 1-3 minutos. No deje que el detergente se seque sobre la superficie. Si

ve que la superficie se va a secar, simplemente moje la superficie con agua limpia. Si es necesario, utilice un accesorio especial con cepillo de lavado (no incluido) para quitar la suciedad difícil. Enjuague a alta presión mediante un movimiento de barrido homogéneo, manteniendo la boquilla pulverizadora a aprox. 6 pulgadas de la superficie a limpiar.

⚠ **ATENCIÓN**

No usar la boquilla pulverizadora para levantar suciedad sobre revestimientos ya que puede causar daños.

Patios de cemento, ladrillos y piedras

(con o sin detergente). Preenjuague la superficie a limpiar con agua limpia. Si utiliza Pressure Wash o Degreaser de Kärcher, aplíquelo en la superficie a baja presión. Para obtener mejores resultados, divida el área de trabajo en pequeñas secciones de aprox. 25 pies cuadrados. Deje el Pressure Wash o Degreaser sobre la superficie durante 1-3 minutos. No deje que se seque el detergente sobre la superficie. Enjuague a alta presión mediante un movimiento de barrido, manteniendo la boquilla pulverizadora a aprox. 3-6 pulgadas de la superficie a limpiar. Limpie siempre de arriba a abajo y de izquierda a derecha. Para quitar manchas especialmente difíciles, utilice la boquilla desincrustante.

Coches, barcas y motos

(con o sin detergente). Preenjuague el vehículo con agua limpia. Si utiliza

Touchless Vehicle Wash de Kärcher, aplíquelo en la superficie a baja presión. Para obtener mejores resultados, limpie un lado del vehículo cada vez y aplique siempre el detergente de abajo a arriba. No deje que el detergente se seque sobre la superficie. Si es necesario, utilice un accesorio especial con cepillo de lavado (no incluido) para quitar la suciedad difícil. Enjuague a alta presión mediante un movimiento de barrido y manteniendo la boquilla pulverizadora a aprox. 6-8 pulgadas de la superficie a limpiar (la distancia se debe incrementar en el caso de que se enjuagen superficies con ranuras u otras superficies delicadas). Limpie siempre de arriba a abajo y de izquierda a derecha. Para obtener mejores resultados, seque la superficie con una gamuza o un trapo suave y seco.

⚠ ATENCIÓN

No usar la boquilla pulverizadora para levantar suciedad sobre vehículos ya que puede causar daños.

Parrillas de barbacoas, equipos con motor exteriores y herramientas de jardín

(con o sin detergente). Preenjuague la superficie a limpiar con agua limpia. Si utiliza Pressure Wash de Kärcher o Degreaser, aplique el detergente a baja presión. Deje el Pressure Wash sobre la superficie 1-3 minutos. No deje que el detergente se seque sobre la superficie. Enjuague a alta presión manteniendo la boquilla pulverizadora a aprox. 3-6 pulgadas de la superficie a limpiar. Para quitar suciedad especialmente difícil, puede ser necesario tener que poner la boquilla pulverizadora más cerca para que la potencia de limpieza sea mayor.

⚠ ATENCIÓN

No usar la boquilla pulverizadora para levantar suciedad sobre paños, plástico u otras superficies delicadas ya que puede causar daños.

Mobiliario de patios y jardines

(con o sin detergente). Preenjuague el mueble y el área circundante con agua limpia. Si utiliza Pressure Wash de Kärcher, aplíquelo a la superficie a baja presión. Deje el Pressure Wash sobre la superficie durante 1-3 minutos. No deje que se seque el detergente sobre la superficie. Si es necesario, utilice un accesorio especial con cepillo de lavado (no incluido) para quitar la suciedad difícil. Enjuague a alta presión mediante un movimiento de barrido, manteniendo la boquilla pulverizadora a aprox. 3-6 pulgadas de la superficie a limpiar. Para obtener mejores resultados, limpie de arriba a abajo y de izquierda a derecha.

⚠ ATENCIÓN

No usar la boquilla pulverizadora para levantar suciedad sobre terrazas o muebles de jardín ya que puede causar daños.

Recomendaciones

- Antes de limpiar cualquier superficie, se debe limpiar una parte de la misma que no se vea para probar el ajuste del pulverizado y la distancia para obtener los mejores resultados de limpieza.
- Si las superficies pintadas se están pelando o desconchando, extreme las precauciones, ya que el limpiador a presión podría arrancar la pintura suelta de la superficie.
- Cuando se utilice en superficies que puedan entrar en contacto con comida, enjuáguelas abundantemente con agua potable.

Accesorios opcionales

Disponemos de accesorios de limpieza opcionales para mejorar la capacidad de limpieza. Consulte nuestra página Web www.karcher-usa.com/home para obtener información acerca de precios e información actualizada.

LOCALIZACIÓN Y REPARACIÓN DE AVERÍAS

⚠ **ATENCIÓN**

Quitar el cable de enchufe de chispas para evitar que el motor se encienda de

forma involuntaria antes de realizar cualquier reparación.

Síntoma	Causa	Solución
El motor no arranca	No hay gasolina	Llenar el depósito de gasolina
	El motor debe ser cebado.	Luego oprima la bola del cebador tres veces.
	El acelerador del motor no está en la posición correcta.	Coloque el acelerador en la posición "FAST"(rápido).
	Presión de agua formada en la máquina.	Apretar el gatillo para liberar presión.
	Si tiene más problemas con el motor consulte el manual.	
La unidad no llega a la alta presión.	El diámetro de la manguera de jardín es demasiado pequeño.	Sustituir con una manguera de jardín de 5/8 pulgadas o más.
	El suministro de agua está restringido.	Compruebe si la manguera de jardín tiene grietas, fugas o si está obstruida.
	El suministro de agua de entrada no es suficiente.	Abra el grifo de agua del todo. Compruebe si la manguera de jardín tiene grietas, fugas o si está obstruida.
	El filtro de entrada de agua está obstruido.	Quite el filtro y enjuáguelo en agua caliente.
	El pulverizador telescópico está en la posición de baja presión.	Ponga el pulverizador telescópico en la posición de alta presión.

Síntoma	Causa	Solución
La presión de salida varía entre alta y baja presión.	El suministro de agua de entrada no es suficiente.	Abra el grifo de agua del todo. Compruebe si la manguera de jardín tiene grietas, fugas o si está obstruida.
	La bomba está succionando aire.	Compruebe que las mangueras y conectores están bien apretados. Apague el aparato y purgue la bomba apretando la pistola de disparo hasta que salga un caudal constante de la boquilla.
	El filtro de entrada de agua está obstruido.	Quite el filtro y enjuáguelo en agua caliente.
	La boquilla pulverizadora está atascada.	Limpie con aire comprimido o quite la suciedad con una aguja fina.
	Pistola, manguera o pulverizador telescópico calcificados.	Vierta vinagre destilado por el tubo de succión de detergente.
No entra detergente.	El tubo de succión de detergente no está correctamente conectado al aparato.	Compruebe la conexión.
	El detergente está demasiado espeso.	Diluya el detergente. Para obtener mejores resultados utilice detergente Kärcher.
	El filtro del tubo de succión de detergente está obstruido.	Deje correr agua caliente por el filtro para quitar la suciedad.
	El tubo de succión de detergente está dañado u obstruido.	Quite la obstrucción o reemplace el tubo de succión de detergente.
	La boquilla pulverizadora está atascada.	Limpie con aire comprimido o quite la suciedad con una aguja fina.
La conexión de la manguera de jardín fuga.	Las conexiones están sueltas.	Apriete las conexiones.
	No hay arandela de gaúcho o está desgastada.	Inserte una arandela nueva.

Síntoma	Causa	Solución
El pulverizador telescópico fuga.	El pulverizador telescópico no está montado correctamente.	Girar la ranura giratoria de la pistola en el sentido de las agujas del reloj hasta ajustar la conexión.
	Anillo tórico o inserción de plástico rotos.	Llame al Servicio de asistencia al cliente.
La bomba hace ruido.	La bomba está succionando aire.	Compruebe que las mangueras y conectores están bien apretados. Apague el aparato y purgue la bomba apretando la pistola de disparo hasta que salga un caudal constante de la boquilla.
Fuga agua de la bomba (hasta 10 gotas por minuto es permisible).	Las conexiones están sueltas.	Apriete las conexiones.
	Las juntas de estanqueidad de agua están dañadas o desgastadas.	Llame al Servicio de asistencia al cliente.
	La protección térmica del dispositivo está activada.	La protección térmica del dispositivo se reestablecerá automáticamente. No poner la bomba en funcionamiento durante más de 5 minutos sin pulverizar.
Goteo de aceite.	La juntas de estanqueidad de aceite están dañadas o desgastadas.	Llame al Servicio de asistencia al cliente.

Si tiene más problemas de los que están indicados, llame o visite nuestra página web.

EE.UU.: 1-800-537-4129
www.karcher-usa.com/home

Canadá: 1-800-465-4980
www.karcher-canada.com

Méjico: 01-800-024-13-13
www.karcher.com.mx

NETTOYEUR HAUTE PRESSION - MANUEL D'UTILISATION

Généralités	31
Consignes de sécurité importantes	32
Instructions de montage	34
Mode d'emploi	34
Utilisation des accessoires	35
Emploi de détergents	36
Prendre une pause	37
Arrêt de l'appareil et nettoyage	37
Remisage hivernal et entreposage à long terme	38
Consignes d'entretien	38
Conseils de nettoyage	39
Dépannage	41

Caractéristiques

Pression de fonctionnement	2000 PSI
Débit d'eau	2.0 GPM
Aspiration de détergent	0.15 - 0.20 GPM
Moteur	4.0 HP Tecumseh LV148
N° de pièce	1.133-620.0
N° de série	

Symboles d'alerte de sécurité

⚠ DANGER

Identifie "une situation de danger imminent qui, si elle n'est pas évitée, entraîne la mort ou des blessures graves".

⚠ AVERTISSEMENT

Identifie "une situation de danger potentiel qui, si elle n'est pas évitée, pourrait entraîner la mort ou des blessures".

⚠ ATTENTION

Identifie "une situation de danger potentiel qui, si elle n'est pas évitée, peut éventuellement entraîner des blessures légères ou modérées" ou des dommages matériels.

Responsabilité du propriétaire/ de l'utilisateur

Avant d'utiliser ce nettoyeur pression, le propriétaire et/ou l'utilisateur doit impérativement avoir pris connaissance des consignes d'utilisation et mises en garde du fabricant.

Il est nécessaire d'insister sur les avertissements et de les comprendre.

Si l'utilisateur ne parle pas couramment l'anglais, l'acheteur/le propriétaire doit lire les consignes et mises en garde du fabricant avec l'utilisateur dans la langue maternelle de ce dernier et s'assurer qu'il en comprend bien le contenu.

Le propriétaire et/ou l'utilisateur doit se familiariser avec les consignes du fabricant et les conserver afin de pouvoir s'y référer ultérieurement.

Service à la clientèle aux États-Unis

Appeler : **1-800-537-4129** pour obtenir de l'aide ou visiter notre site Web :

www.karcher-usa.com/home

Prenez quelques minutes pour enregistrer votre nettoyeur pression en ligne à l'adresse suivante

www.karcher-usa.com/warranty

Service après-vente Kärcher CDN

Assistance téléphonique :

1-800-465-4980 ou site Web :

www.karcher-canada.com

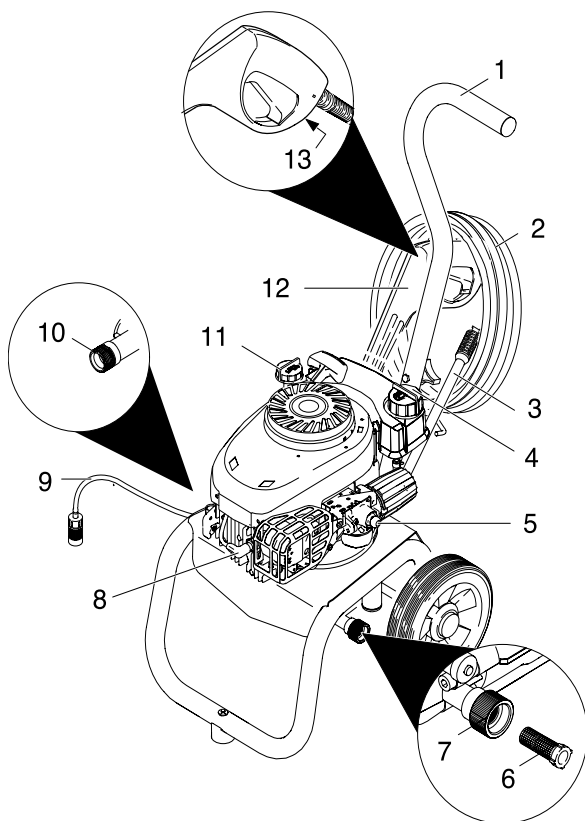
Assistance Kärcher Mexique

Appeler : **01-800-024-13-13** pour obtenir de l'aide ou visiter notre site Web : **www.karcher.com.mx**

GÉNÉRALITÉS

- | | | | |
|---|---|----|---|
| 1 | Poignée | 9 | Tuyau d'aspiration du détergent avec filtre |
| 2 | Tuyau à haute pression | 10 | Sortie haute pression |
| 3 | Lance | 11 | Jauge à huile |
| 4 | Réservoir à essence | 12 | Poignée-pistolet |
| 5 | Amorçem d'injection | 13 | Verrouillage de sécurité de la poignée-pistolet |
| 6 | Filtre dans l'entrée d'eau | | |
| 7 | Entrée d'eau avec raccord pour tuyau d'arrosage | | |
| 8 | Bougie d'allumage | | |

Pour de plus amples informations à propos du moteur, reportez-vous au manuel du moteur.



CONSIGNES DE SÉCURITÉ IMPORTANTES

- Avant la mise en service, lire le mode d'emploi du constructeur du moteur et en particulier respecter les consignes de sécurité.

⚠ AVERTISSEMENT

En utilisant ce produit, toujours observer une certaine prudence élémentaire, incluant notamment:

- Lire toutes les instructions de service avant d'utiliser l'appareil.
- Afin de minimiser les risques de blessure, ne jamais laisser l'appareil sans surveillance lorsque celui-ci est utilisé à proximité d'enfants.
- Il est impératif de savoir arrêter et mettre l'appareil hors pression rapidement. Une connaissance approfondie des commandes est nécessaire.
- Rester attentif – se concentrer sur la tâche en cours.
- L'utilisateur ne doit jamais faire usage de l'appareil lorsqu'il est fatigué ou sous l'emprise d'alcool ou de drogues.
- Veiller à ce qu'aucun individu ne se trouve dans la zone de travail.
- Ne jamais passer ou monter sur des supports instables. Toujours rester stable et équilibré.
- Le port de lunettes de protection est obligatoire.
- Respecter les consignes d'entretien figurant dans le manuel.

⚠ AVERTISSEMENT

Risque de projection ou de blessure – Ne pas diriger le jet de vapeur en direction d'individus.

- En cas d'utilisation incorrecte, les jets haute pression peuvent être dangereux. Ne jamais diriger les jets

de vapeur en direction d'individus, d'animaux, de dispositifs électriques ou de l'appareil lui-même.

- Ne pas vaporiser les branchements électriques, les prises ou les ferrures.

⚠ AVERTISSEMENT

Risque d'explosion – Ne pas vaporiser de liquides inflammables.

- N'utiliser en aucun cas d'acides, de solutions alcalines, de solvants ou de produits inflammables dans cet appareil. Ces produits peuvent être à l'origine de blessures graves ou d'endommagement irréversible de l'appareil.

⚠ AVERTISSEMENT

Le pistolet génère une force de propulsion – Le maintenir toujours à deux mains.

- Le dispositif de sécurité de la poignée-pistolet permet d'éviter tout actionnement accidentel de la gâchette. Ce dispositif de sécurité NE verrouille PAS la gâchette en position marche (ON).

⚠ ATTENTION

Risque d'asphyxie – Utiliser l'appareil uniquement dans des zones bien ventilées.

- Utiliser et faire le plein de l'appareil exclusivement dans une zone bien ventilée, exempte de dispositifs à veilleuse ou présentant une flamme vive, tels que les chaudières, les chauffe-eau, etc.

⚠ ATTENTION

Risque d'incendie – Ne jamais faire l'appoint d'essence lorsque l'appareil est en fonctionnement.

- *Ne pas utiliser l'appareil si de l'essence a été renversée. Dans ce cas, déplacer l'appareil vers un autre endroit en veillant à ne pas créer d'étincelles.*
- *La machine présente des surfaces chaudes. Tout contact avec ces dernières peut être source de brûlures. Utiliser l'appareil dans un lieu sûr et à l'écart des enfants.*
- *Eviter de toucher les surfaces chaudes ou de mettre des accessoires en contact avec ces dernières.*
- *Le flexible haute pression ne doit jamais entrer en contact avec le carter de l'échappement.*
- *Ne jamais laisser l'appareil en service sans surveillance.*
- *Eviter de faire basculer l'appareil sur le côté.*

CONSERVER CES INSTRUCTIONS !

ALIMENTATION EN EAU (eau froide uniquement)

⚠ ATTENTION

Lors du raccordement de l'arrivée d'eau à la conduite principale d'alimentation en eau, respecter les réglementations locales de votre société de distribution d'eau. Dans certaines zones, il est interdit de raccorder directement l'appareil au système public d'alimentation en eau potable. Cette mesure est destinée à éviter toute infiltration de produits chimiques dans le circuit d'alimentation en eau. Toutefois, l'appareil peut être raccordé par exemple à un réservoir collecteur ou à un disconnecteur hydraulique.

Les impuretés contenues dans l'eau d'alimentation peuvent endommager

l'appareil. Afin d'éviter les risques d'endommagement, nous recommandons l'emploi d'un filtre à eau.

- *Le tuyau d'arrosage doit avoir un diamètre minimum de 5/8 pouces.*
- *Le débit de l'alimentation en eau ne doit pas être inférieur à 2,8 GPM (gallons par minute).*
- *Pour calculer le débit, faire couler l'eau pendant une minute dans un récipient vide d'une contenance de 5 gallons.*
- *La température de l'eau d'alimentation ne doit pas excéder 104 °F/ 40 °C.*
- *Ne jamais aspirer d'eau contaminée par des solvants, par exemple des diluants pour peinture, de l'essence, de l'huile, etc..*
- *Toujours utiliser une source d'eau propre afin d'éviter toute infiltration de débris dans l'appareil.*
- *Ne pas mettre le nettoyeur pression en service lorsque l'arrivée d'eau n'est pas ouverte.*

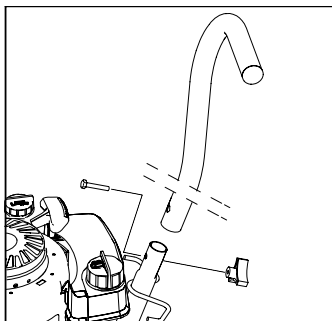
INSTRUCTIONS DE MONTAGE

Outils nécessaires

Tournevis, petites (non fourni)

→ ÉTAPE 1 :

Fixer le manche au châssis du nettoyeur pression. Aligner les orifices, insérer les boulons et les serrer à l'aide d'écrous borgnes.

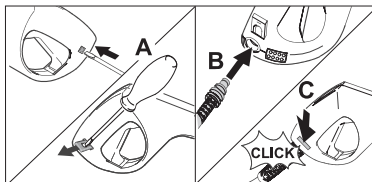


→ ÉTAPE 2 :

Retirer le clip de sécurité dans la poignée-pistolet à l'aide, d'un petit tournevis.

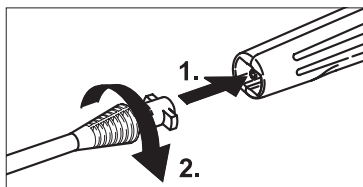
Assembler le flexible haute pression et la poignée-pistolet.

Appuyer sur le clip de sécurité jusqu'à ce qu'il s'enclenche puis vérifier l'assemblage en tirant sur le flexible haute pression.



→ ÉTAPE 3 :

Réinsérer la lance dans la poignée-pistolet. Presser soigneusement contre le ressort et tourner en position verrouillée.



MODE D'EMPLOI

ATTENTION

Ne jamais démarrer le moteur si le niveau d'huile est insuffisant ou excessif sous peine d'endommager le moteur. Pour de plus amples informations à propos du moteur, se reporter au manuel du moteur fourni avec l'appareil.

→ ÉTAPE 1 :

Contrôler le niveau d'huile. Le niveau d'huile doit toujours être compris entre les repères "FULL" (plein) et "ADD" (ajout) de la jauge.

Vérifier que la machine est à l'horizontale lors du contrôle du niveau d'huile. (Se reporter au manuel d'uti-

lisation du moteur pour connaître les différentes qualités d'huile à utiliser en fonction des saisons.)

Nous recommandons de changer l'huile au terme des 5 premières heures de fonctionnement puis toutes les 25 heures.

→ ÉTAPE 2 :

Remplir le réservoir à essence avec de l'essence sans plomb.

Ne pas utiliser d'essence au plomb.

→ **ETAPE 3 :**

Fixer le tuyau à haute pression à la sortie haute pression de l'appareil.

→ **ETAPE 4 :**

Raccorder le tuyau d'arrosage à l'entrée d'eau de l'appareil.

→ **ETAPE 5 :**

Raccorder le tuyau d'arrosage à la source d'eau froide et ouvrir complètement le robinet.

Ne pas utiliser d'eau chaude.

→ **ETAPE 6 :**

Déverrouiller la sécurité de la poignée-pistolet. Appuyer sur la gâchette pour purger l'air jusqu'à obtenir un jet d'eau régulier à la lance.

→ **ETAPE 7 :**

Faites passer la manette des gaz en position rapide.

→ **ETAPE 8 :**

Puis appuyez trois fois sur l'amorceur d'injection. Attendez 3 secondes entre chaque pression.

Pour de plus amples informations à propos du moteur, reportez-vous au manuel du moteur.

→ **ETAPE 9 :**

Tirer la poignée du starter.

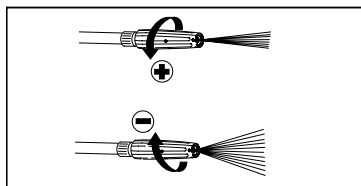
Si le moteur ne démarre pas après 3 tentatives, appuyez sur la gâchette du pistolet de manière à libérer la pression puis recommencer l'opération.

UTILISATION DES ACCESSOIRES

Buse haute/basse pressions

Cette lance comporte deux positions. Le réglage sur la position haute pression permet d'obtenir un jet puissant de 25° pour les nettoyages généraux alors que le réglage sur la position basse pression permet d'obtenir un jet plat plus large de 40°.

Prudence: Appliquer du détergent avec le réglage sur la position basse pression.



⚠ AVERTISSEMENT

Afin d'éviter de graves blessures, ne jamais pointer la lance sur soi-même, d'autres personnes ou des animaux.

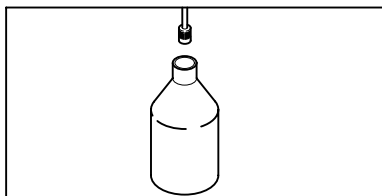
EMPLOI DE DÉTERGENTS

→ ÉTAPE 1 :

Tourner l'extrémité de la lance en position basse pression.

→ ÉTAPE 2 :

Remplir un récipient avec du détergent Kärcher. Insérer dans le récipient l'extrémité du tuyau d'aspiration de détergent munie d'un filtre.



→ ÉTAPE 3 :

Lorsque le moteur tourne, enfoncer la gâchette pour actionner l'appareil. *Le détergent est aspiré dans l'appareil et se mélange à l'eau.*

Laisser agir le détergent sur la surface à nettoyer.

Veiller à ce que le détergent ne sèche pas.

→ ÉTAPE 4 :

Une fois les travaux de nettoyage terminés, **toujours** rincer le réservoir à détergent à l'eau propre afin d'éliminer les éventuels résidu de détergent du système d'injection.

Pour obtenir les meilleurs résultats, voir les conseils donnant des informations propres au nettoyage des différents types de surfaces.

Détergents

⚠ ATTENTION

Observer les instructions de maintenance figurant dans le présent manuel. Cette machine a été conçue pour être utilisée avec des détergents du fabricant. L'utilisation d'autres détergents peut altérer le fonctionnement de la machine et annuler la garantie.

Toujours utiliser les détergents Kärcher pour produire les meilleurs résultats.

Les détergents biodégradables de Kärcher sont spécialement élaborés pour ménager l'environnement et le nettoyeur à haute pression. La formule spéciale évite d'encrasser le filtre du tuyau d'aspiration et protège les pièces internes du nettoyeur à haute pression pour en prolonger la durée de vie. Pour obtenir des détergents Kärcher, s'adresser au revendeur ou appeler le service après-vente.

Détergents Kärcher disponibles aux États-Unis / au Mexique :

- Multi-usages et nettoyants pour automobiles
- Nettoyant pour extérieur
- Nettoyant terrasses et patios
- Dégraissant ultra puissant

Détergents Kärcher disponibles au Canada :

- Nettoyant automobile
- Nettoyant pression
- Nettoyant terrasses et barrières
- Dégraissant

⚠ ATTENTION

Ne jamais utiliser :

- javellisant, produits à base de chlore et autres produits chimiques corrosifs
 - liquides contenant des solvants (p.ex. diluants pour peintures, essence, huiles)
 - produits à base de trisodium de phosphate
 - produits à base d'ammoniaque
 - produits à base d'acide
- Ces produits chimiques endommagent l'appareil et altèrent la surface à nettoyer.
- L'utilisation de ces produits entraînera l'annulation de la garantie.**

PRENDRE UNE PAUSE ...cinq minutes ou plus

→ ETAPE 1 :

Abaissez le levier d'accélérateur afin d'arrêter le moteur.

Pour de plus amples informations à propos du moteur, reportez-vous au manuel du moteur.

→ ETAPE 2 :

Relâcher la gâchette et engager le verrouillage de sécurité du pistolet.

ARRÊT DE L'APPAREIL ET NETTOYAGE

→ ETAPE 1 :

Retirer le tuyau d'aspiration de détergent du récipient et ajouter 1 gallon d'eau fraîche.

Siphonner l'eau à basse pression pendant une minute.

→ ETAPE 7 :

Débrancher le tuyau à haute pression de la sortie haute pression.

→ ETAPE 2 :

Abaissez le levier d'accélérateur afin d'arrêter le moteur.

→ ETAPE 3 :

Fermer l'arrivée d'eau.

→ ETAPE 4 :

Appuyer sur la gâchette pour évacuer la pression de l'eau.

→ ETAPE 5 :

Relâcher la gâchette et engager le verrouillage de sécurité du pistolet.

→ ETAPE 6 :

Débrancher le tuyau d'arrosage de l'entrée d'eau sur l'appareil.

REMISAGE HIVERNAL ET ENTREPOSAGE A LONG TERME

- **1:** Débrancher tous les raccordements d'eau.
- **2:** Mettre l'appareil en marche pendant quelques secondes pour évacuer toute l'eau restant dans les pompes, puis l'arrêter immédiatement.
- **3:** Ne pas laisser le tuyau d'arrosage tordu.
- **4:** Ranger l'appareil et les accessoires dans une pièce à l'abri du gel. NE PAS stocker près d'un fourneau ou d'autres sources de chaleur, afin d'éviter un dessèchement des joints de la pompe.

ATTENTION

L'inobservation des instructions ci-dessus cause des dégâts au bloc-pompe et aux accessoires.

Kärcher recommande d'utiliser correctement un dispositif de protection de pompe tel que "Kärcher Pump Guard" afin de garantir un meilleur stockage au cours de l'hiver.

CONSIGNES D'ENTRETIEN

Pompe Kärcher

Première utilisation

Toutes les pompes Kärcher sont remplies d'huile d'usine. Il est inutile de rajouter de l'huile.

Contrôle de la pompe

Contrôler régulièrement l'état de la pompe du nettoyeur pression (contrôle visuel). En cas de fuite d'huile au niveau des joints d'étanchéité de la pompe, faire réparer le nettoyeur vapeur dans un centre de service agréé Kärcher. (Pour trouver le centre de service le plus proche, se rendre à l'adresse www.kärcher-usa.com/service.)

Entretien de la pompe

La pompe du nettoyeur pression Kärcher ne requiert pas d'entretien. Toute tentative d'entretien risque d'altérer la pompe, d'endommager le nettoyeur pression et, en outre, d'entraîner l'annulation de la garantie.

Moteur

Effectuer les opérations d'entretien du moteur en respectant les spécifications figurant dans les instructions de service du fabricant du moteur.

CONSEILS DE NETTOYAGE

Terrasses en bois

(avec ou sans détergent). Commencer par un prérinçage de la terrasse et des abords à l'eau fraîche. S'il est prévu d'utiliser du détergent pour terrasses et clôtures en bois Kärcher, l'appliquer à basse pression. Pour obtenir de meilleurs résultats, limiter la surface de travail à environ 2,3 mètres carrés. Laisser le détergent agir 1-3 minutes sur la surface. Ne pas laisser sécher. Rincer à haute pression d'un ample mouvement de balayage en maintenant la buse à environ 7,5-15 cm de la surface à nettoyer. Toujours nettoyer de haut en bas et de gauche à droite.. En entamant une nouvelle section de la surface à nettoyer, veiller à chevaucher la section précédente afin de ne pas laisser de marques et d'assurer un résultat uniforme.

⚠ ATTENTION

L'utilisation de la buse Dirtblaster risque d'endommager les surfaces en bois.

Revêtements de façades

(avec ou sans détergent) Commencer par un prérinçage à l'eau fraîche. S'il est prévu d'utiliser du nettoyeur Kärcher, l'appliquer à basse pression sur la surface (pour obtenir de meilleurs résultats, limiter la surface de travail à des sections d'environ 1,8 mètre et toujours appliquer le détergent de bas en haut). Laisser le détergent agir 1-3 minutes sur la surface. Ne pas laisser sécher. Si la surface semble sécher, il suffit de la mouiller avec de l'eau fraîche. Au besoin, utiliser l'embout spécial à brosse

de lavage (non compris) pour éliminer la saleté tenace. Rincer à haute pression de haut en bas d'un mouvement de balayage régulier en maintenant la buse à environ 15 cm de la surface à nettoyer.

⚠ ATTENTION

L'utilisation de la buse Dirtblaster risque d'endommager les parements.

Patios de ciment, briques et pierres

(avec ou sans détergent) Commencer par un prérinçage à l'eau fraîche. S'il est prévu d'utiliser du nettoyeur Kärcher, l'appliquer à basse pression. Pour obtenir de meilleurs résultats, limiter la surface de travail à environ 2,3 mètres carrés. Laisser le nettoyeur ou le dégraisseur agir 1-3 minutes sur la surface. Ne pas laisser sécher. Rincer à haute pression d'un mouvement de balayage en maintenant la buse à environ 7,5-15 cm de la surface à nettoyer. Toujours nettoyer de haut en bas et de gauche à droite.. Pour éliminer la saleté extrêmement tenace, utiliser la lance rotative.

Autos, bateaux et motos

(avec ou sans détergent) Commencer par un prérinçage du véhicule à l'eau fraîche. S'il est prévu d'utiliser du nettoyeur Kärcher, l'appliquer à basse pression. Pour obtenir de meilleurs résultats, nettoyer un côté du véhicule après l'autre et toujours appliquer le détergent de bas en haut. Ne pas laisser sécher. Au besoin, utiliser l'embout spécial à brosse de lavage (non compris) pour éliminer la saleté tenace. Rincer à haute pression d'un

mouvant de balayage en maintenant la buse à environ 15-20 cm de la surface à nettoyer (augmenter la distance pour des surfaces fragiles). Toujours nettoyer de haut en bas et de gauche à droite.. Pour obtenir de meilleurs résultats, essuyer la surface avec une peau de chamois ou un chiffon doux.

⚠ ATTENTION

L'utilisation de la buse Dirtblaster risque d'endommager les véhicules.

Grilles de barbecue, équipements mécaniques d'extérieur et outils de jardinage

(avec ou sans détergent) Commencer par un pré-rinçage à l'eau fraîche. S'il est prévu d'utiliser du nettoyeur à haute pression ou du dégraisseur Kärcher, l'appliquer à basse pression. Laisser le détergent agir 1-3 minutes sur la surface. Ne pas laisser sécher. Rincer à haute pression en maintenant la buse à environ 7,5-15 cm de la surface à nettoyer. Pour éliminer la saleté extrêmement tenace, il peut s'avérer nécessaire d'approcher la buse plus près de la surface afin d'augmenter l'efficacité du nettoyage.

⚠ ATTENTION

L'utilisation de la buse Dirtblaster risque d'endommager les surfaces textiles, plastique ou fragiles.

Meubles de patio et de jardin

(avec ou sans détergent) Commencer par un pré-rinçage des meubles et des abords à l'eau fraîche. S'il est prévu d'utiliser du nettoyeur à haute pression ou du dégraisseur Kärcher, l'appliquer à basse pression. Laisser le détergent agir 1-3 minutes sur la surface. Ne pas laisser sécher. Au besoin, utiliser

l'embout spécial à brosse de lavage (non compris) pour éliminer la saleté tenace. Rincer à haute pression d'un mouvement de balayage en maintenant la buse à environ 7,5-15 cm de la surface à nettoyer. Pour obtenir de meilleurs résultats, nettoyer de haut en bas et de gauche à droite.

⚠ ATTENTION

L'utilisation de la buse Dirtblaster risque d'endommager les terrasses et les meubles de jardin.

Recommandations

- Avant de nettoyer une quelconque surface, procéder à un essai sur une petite surface discrète pour déterminer le mode d'action et la distance qui produiront les meilleurs résultats de nettoyage.
- Si des surfaces peintes s'écaillent, procéder avec une extrême précaution car le nettoyeur à haute pression peut détacher la peinture à ces endroits.
- Rincer abondamment à l'eau potable les surfaces traitées pouvant éventuellement entrer en contact avec de la nourriture.

Accessoires optionnels

Des accessoires sont disponibles en option afin d'augmenter encore l'efficacité du nettoyage. Veuillez consulter notre site Web www.karcher-usa.com/home pour de plus amples informations sur les prix et les nouveautés.

DÉPANNAGE

⚠ **ATTENTION**

Avant de procéder aux réparations, débrancher toujours le câble de la bougie

l'allumage afin d'éviter tout démarrage accidentel du moteur.

Symptôme	Cause	Solution
Le moteur ne démarre pas	Réservoir d'essence vide	Remplir le réservoir d'essence
	Le moteur doit être amorcé.	Puis appuyez trois fois sur l'amorceur d'injection.
	L'accélérateur n'est pas à la bonne position.	Mettez la manette des gaz sur «FAST».
	La pression de l'eau augmente dans la machine.	Enfoncer la gâchette pour libérer la pression.
	Pour les autres problèmes relatifs au moteur, se reporter au manuel du moteur.	
L'appareil n'atteint pas le niveau de haute pression.	Diamètre du tuyau d'arrosage insuffisant.	Remplacer par un tuyau d'arrosage de 5/8" ou plus.
	Débit d'eau restreint.	Vérifier si le tuyau d'arrosage est tordu, s'il présente des fuites ou est bouché.
	Alimentation d'eau insuffisante.	Ouvrir le robinet d'eau à fond. Vérifier si le tuyau d'arrosage est tordu, s'il présente des fuites ou est bouché.
	Filtre d'admission d'eau encrassé.	Retirer le filtre et le rincer à l'eau tiède.
	Lance en position basse pression.	Mettre la lance en position haute pression.

Symptôme	Cause	Solution
La pression de sortie varie.	Alimentation d'eau insuffisante.	Ouvrir le robinet d'eau à fond. Vérifier si le tuyau d'arrosage est tordu, s'il présente des fuites ou est bouché.
	Pompe aspirant de l'air.	Vérifier l'étanchéité des tuyaux et raccords. Arrêter l'appareil et purger la pompe en appuyant sur la gâchette jusqu'à obtenir un jet d'eau régulier à la sortie de la buse.
	Filtre d'admission d'eau encrassé.	Retirer le filtre et le rincer à l'eau tiède.
	La buse de vaporisation est obstruée.	Souffler dans la buse ou retirer le débris à l'aide d'une aiguille.
	Calcification du pistolet, du tuyau ou de la lance.	Faire couler du vinaigre distillé dans le tube d'aspiration de détergent.
Il n'y a pas de détergent.	Tube d'aspiration de détergent mal raccordé à l'appareil.	Vérifier le raccord.
	Détergent trop épais.	Diluer le détergent; pour de meilleurs résultats, utiliser du détergent Kärcher.
	Filtre ou tube d'aspiration de détergent obstrué.	Faire couler de l'eau tiède à travers le filtre pour éliminer les débris.
	Tube d'aspiration de détergent endommagé ou obstrué.	Éliminer l'obstruction ou remplacer le tube d'aspiration de détergent.
	La buse de vaporisation est obstruée.	Souffler dans la buse ou retirer le débris à l'aide d'une aiguille.
Le raccord du tuyau d'arrosage fuit.	Raccords desserrés.	Serrer les raccords.
	Rondelle caoutchouc perdue ou usée.	Monter une nouvelle rondelle.
La lance fuit.	Lance mal fixée.	Tourner l'écrou du pistolet dans le sens des aiguilles d'une montre jusqu'à ce que le raccord soit bien serré.
	Joint torique ou insert plastique brisé.	Appeler le service après-vente.

Symptôme	Cause	Solution
La pompe est bruyante.	Pompe aspirant de l'air.	Vérifier l'étanchéité des tuyaux et raccords. Arrêter l'appareil et purger la pompe en appuyant sur la gâchette jusqu'à obtenir un jet d'eau régulier à la sortie de la buse.
La pompe présente des fuites d'eau (jusqu'à 10 gouttes par minute sont admissibles).	Raccords desserrés.	Serrer les raccords.
	Joint d'eau endommagé ou usés.	Appeler le service après-vente.
	Le dispositif de protection thermique est activé.	Le dispositif de protection thermique se réinitialisera automatiquement. Ne pas faire fonctionner la pompe plus de 5 minutes sans actionner le pistolet de vaporisation.
De l'huile s'égoutte.	Joint d'huile endommagé ou usés.	Appeler le service après-vente.

En cas d'apparition d'un problème ne figurant pas dans cette liste, faire appel à l'assistance téléphonique ou se rendre sur le site Web.

Etats-Unis : 1-800-537-4129

www.karcher-usa.com/home

Canada : 1-800-465-4980

www.karcher-canada.com

Mexique : 01-800-024-13-13

www.karcher.com.mx